



OBS12350HR (12V 350W)

High Rate VRLA Battery



OSONIX High Rate VRLA has High-Density AGM technology, Manufactured from high purity lead (99.99%), its advanced lead tin calcium alloy reduces grid corrosion and promotes long battery life for up to 12 years.

Features

- Absorbed Glass Mat technology (AGM) for greater than 99.99% recombination efficiency
- Special designed thin grids for optimized high power density
- Oversized partition intercell welds, providing low resistance connections & minimal power loss
- Compliance with IATA/ICAO Special Provisions Compliance A67 (No restrictions for rail, road, sea & air transport)
- Superior performance at high rates of discharge & recharge

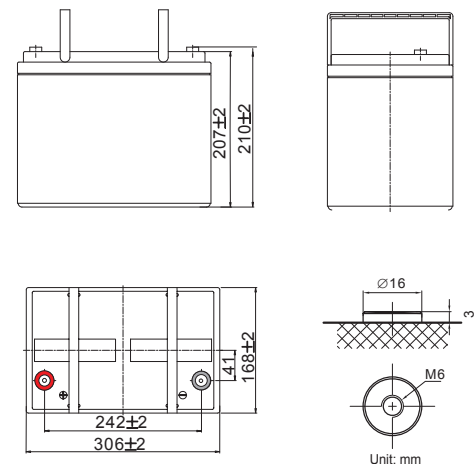
Applications

- Uninterruptible power supply (UPS)
- Hospitals & Testing Laboratories
- Telecommunications
- Data Centers
- Banks & Financial Centers
- Power Generation Plants
- High Power Backup Supply



SPECIFICATIONS		Standard @ 25°C (77°F)
Nominal Voltage		12 V
Nominal Rate (15 min to 1.67 V/cell)		370 W/cell
Nominal Capacity (20 hrs. to 1.80 V/cell)		95 Ah
Rated capacity	97.2 Ah	(20hrs, 4.86A, 1.75V/cell)
	89.6 Ah	(8hrs, 11.2A, 1.75V/cell)
	77.1 Ah	(3hrs, 25.7A, 1.75V/cell)
	66.3 Ah	(1hrs, 66.3A, 1.67V/cell)
Max. Discharge Current		1425 A
Internal Resistance		4.0 mΩ
Operating Temp. Range	Discharge	-15 to 50 °C (5 to 122 °F)
	Charge	0 to 40 °C (32 to 104 °F)
	Storage	-15 to 40 °C (5 to 104 °F)
Nominal Operating Temp. Range		25 ±3 °C (77 ±5 °F)
Short Circuit Current		2400 A
Max. Charging Current		27.0 A
Charge voltage	Float	13.5 V
	Temp. Coefficient	-3 mV / cell / °C
	Equalization	14.1 to 14.4 V
Self Discharge		≤3% /month

PHYSICAL SPECIFICATION		
Dimension	Length	306 ±2 mm (12.0 in)
	Width	168 ±2 mm (6.61 in)
	Height	201 ±2 mm (8.19 in)
	Total Height	211 ±2 mm (8.31 in)
Weight		28.0 Kg (61.7 lb)
Terminal		M6
Container Mat. (Flame retardant)		ABS UL94 HB (Optional V0)
Recommended Torque		4 Nm (35.40 in-lb)
Maximum allowable torque		5.4 Nm (47.79 in-lb)



Compliance with:
IEC 60896 standard
CE, UL 1989, UL94 HB
IATF16949, OHSAS 18001, ISO 9001, ISO 14001 certified production



OBS12350HR (12V 350W)

High Rate VRLA Battery



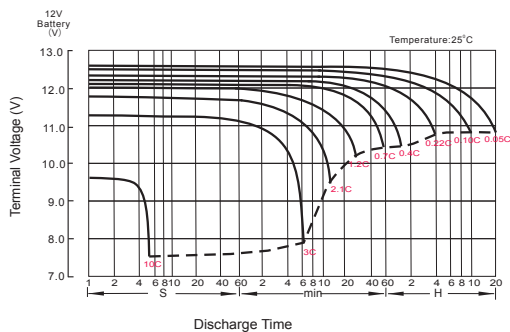
CONSTANT CURRENT DISCHARGE (AMPERES) AT 25°C (77°F)

Final V. / Time	5min	10min	15min	20min	30min	45min	1h	2h	3h	4h	5h	6h	8h	10h	20h
1.85V/cell	226.8	177.5	147.0	123.1	96.0	70.6	57.3	33.7	24.4	19.1	15.8	13.6	10.7	8.84	4.63
1.80V/cell	253.9	197.8	160.1	133.1	101.7	74.1	60.1	35.0	25.1	19.8	16.3	14.0	10.9	9.07	4.75
1.75V/cell	283.5	217.0	173.1	142.2	106.9	77.5	62.5	35.8	25.7	20.1	16.7	14.3	11.2	9.25	4.86
1.70V/cell	314.3	235.4	184.2	151.3	112.3	80.9	64.5	36.6	26.2	20.6	17.1	14.6	11.4	9.43	4.94
1.67V/cell	347.6	251.9	197.3	159.6	117.7	83.6	66.3	37.3	26.7	21.0	17.3	14.9	11.6	9.59	5.03
1.60V/cell	377.1	268.5	210.6	166.7	123.0	88.0	69.6	38.3	27.2	21.4	17.7	15.2	11.9	9.76	5.16

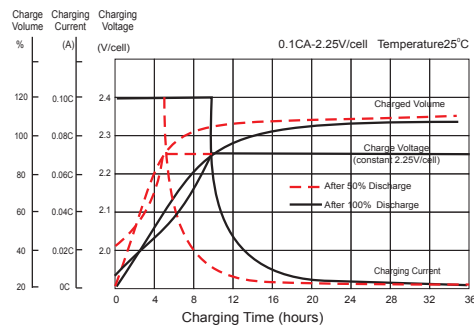
CONSTANT POWER DISCHARGE (WATTS/CELL) AT 25°C (77°F)

Final V. / Time	5min	10min	15min	20min	30min	45min	1h	2h	3h	4h	5h	6h	8h	10h	20h
1.85V/cell	441.2	347.2	289.2	245.8	190.7	141.0	114.9	67.8	49.2	38.8	32.2	27.7	21.8	18.2	9.58
1.80V/cell	488.8	383.0	311.7	263.2	200.3	146.9	119.5	69.9	50.4	39.8	33.1	28.3	22.3	18.6	9.76
1.75V/cell	540.1	416.3	334.1	278.8	208.8	152.2	123.4	71.1	51.3	40.3	33.5	28.9	22.7	18.8	9.93
1.70V/cell	592.0	446.5	351.5	293.6	217.0	157.4	126.2	72.1	52.0	41.1	34.1	29.2	23.0	19.1	10.0
1.67V/cell	649.4	474.3	370.0	307.6	226.1	162.0	129.1	73.1	52.7	41.6	34.4	29.6	23.3	19.3	10.2
1.60V/cell	696.8	500.0	395.0	318.4	234.1	168.6	134.2	74.5	53.2	42.0	34.9	29.9	23.6	19.4	10.3

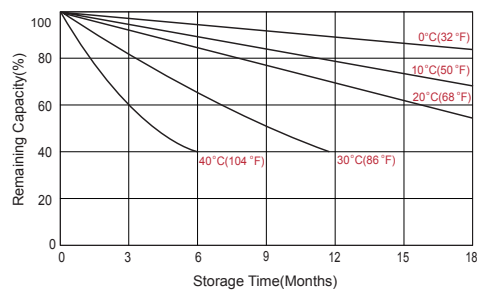
Discharge Characteristics



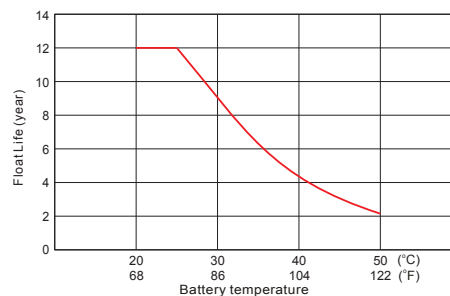
Float Charging Characteristics



Temperature Effects in Relation to Battery Capacity



Temperature Effects on Long Term Float Life



* Product specifications are subject to change without notice.
* US-V2007-REV3.04